

IK07

IP66

ECA

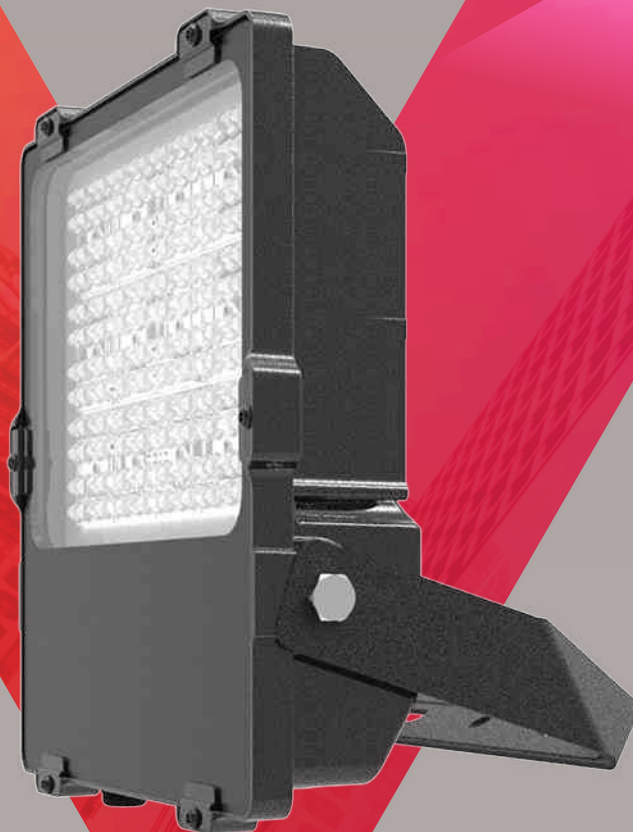
L70

110,000  
HOURS

L80

85,000  
HOURS5  
YEARS'  
WARRANTYNEXT DAY  
DELIVERY

EXTERIOR RANGE

VENTURE  
LIGHTING

# PORTLAND

## FLOODLIGHT

Our **new** floodlight features an impressive 125 lumens per Watt in a **compact** and **thermally efficient** housing. **Versatile mounting options** make the Portland at home in any application and **precise asymmetric light distribution** ensures every lumen is placed exactly where you need it. The ideal solution for professional lighting designs.

# 185W Portland Floodlight, 840, D1

Order Code: FLD153-D1

## Photometric Data

Colour Rendering Index (CRI)	80-89
Lumens	25000
LPW (lm/W)	125
Colour Temperature (K)	4000 - 4000
SDCM	<6
Light Distribution	Asymmetric
Lens / Reflector	Reflector Lens

## Life Data

Rated Life (Hrs)	Ta = 25C		Ta = Tmax	
		-		

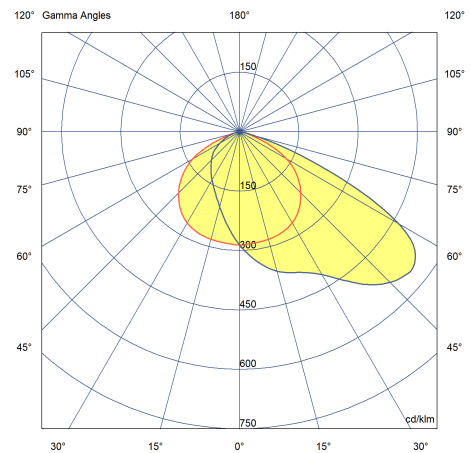
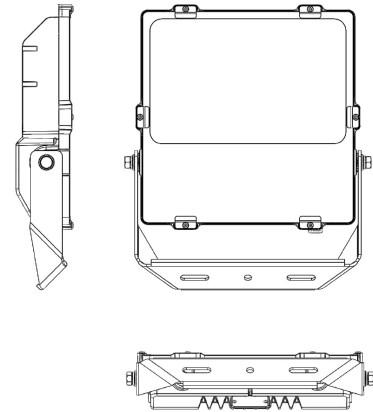
Lumens Maintenance (Hrs)	Ta = 25C		Ta = Tmax	
		B50	B10	B50
L70	110000	89000	77000	42000
L80	36000	-		

## Electrical Data

Input (W)	200
Input (V)±10%	220 - 240
Voltage Type	AC
Power Factor	0.93
THD (%)	5
Energy Efficiency Class (EEC)	A++, A+, A (LED)
Electrical Class	I
Type of Wiring	Ending
Wiring X-sec (mm <sup>2</sup> )	1.5
Non-dimmable	Yes

## Physical Data

Surface Protection	Powder Coating
Degree of Protection (IP)	IP66
Housing Colour	Black
Housing Material	Aluminium
Reflector	None
Length (mm)	400
Width (mm)	345
Height/Depth (mm)	78
Suitable for ceiling mounting	Yes
Suitable for wall mounting	Yes
Suitable for surface mounting	Yes
Lamp Type	LED Not Exchangeable
Surface Protection	Powder Coating
Cover Material	Transparent Glass
Impact Strength	IK07



# 185W Portland Floodlight, 840, D1

Order Code: FLD153-D1

## Environmental Data

Ambient Rated Temperature Range (°C)	-30 to 40
--------------------------------------	-----------

## Accessories

ACS187 - 42mm Pole Mount Bracket

ACS188 - 60mm Pole Mount Bracket

ACS189 - 76mm Pole Mount Bracket

## Logistical Data

Item Gross Weight (kg)	6.2
------------------------	-----

Packaging Length (cm)	47
-----------------------	----

Packaging Width (cm)	39
----------------------	----

Packaging Height (cm)	13
-----------------------	----