

IK07

IP66

ECA

L70

110,000  
HOURS

L80

85,000  
HOURS5  
YEARS'  
WARRANTYNEXT DAY  
DELIVERY

EXTERIOR RANGE

VENTURE  
LIGHTING

# PORTLAND

## FLOODLIGHT

Our **new** floodlight features an impressive 125 lumens per Watt in a **compact** and **thermally efficient** housing. **Versatile mounting options** make the Portland at home in any application and **precise asymmetric light distribution** ensures every lumen is placed exactly where you need it. The ideal solution for professional lighting designs.

# 140W Portland Floodlight, 840, D1

Order Code: FLD152-D1

## Photometric Data

|                              |                |
|------------------------------|----------------|
| Colour Rendering Index (CRI) | 80-89          |
| Lumens                       | 18750          |
| LPW (lm/W)                   | 125            |
| Colour Temperature (K)       | 4000 - 4000    |
| SDCM                         | <6             |
| Light Distribution           | Asymmetric     |
| Lens / Reflector             | Refractor Lens |

## Life Data

| Rated Life (Hrs) | Ta = 25C |   | Ta = Tmax |  |
|------------------|----------|---|-----------|--|
|                  |          | - |           |  |

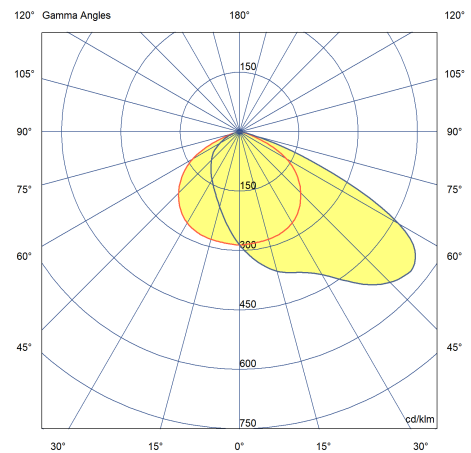
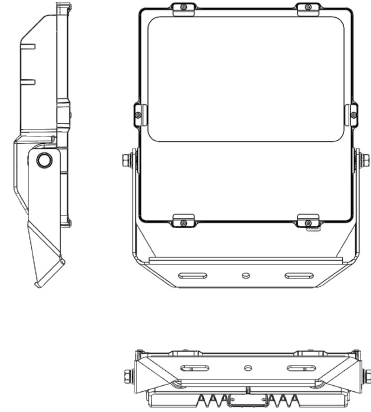
| Lumens Maintenance (Hrs) | Ta = 25C |        | Ta = Tmax |       |
|--------------------------|----------|--------|-----------|-------|
|                          | B50      | B10    | B50       | B10   |
|                          | L70      | 110000 | 89000     | 77000 |
| L80                      | 36000    | -      |           |       |

## Electrical Data

|                                 |                  |
|---------------------------------|------------------|
| Input (W)                       | 150              |
| Input (V)±10%                   | 220 - 240        |
| Voltage Type                    | AC               |
| Power Factor                    | 0.93             |
| THD (%)                         | 5                |
| Energy Efficiency Class (EEC)   | A++, A+, A (LED) |
| Electrical Class                | I                |
| Type of Wiring                  | Ending           |
| Wiring X-sec (mm <sup>2</sup> ) | 1.5              |
| Non-dimmable                    | Yes              |

## Physical Data

|                               |                      |
|-------------------------------|----------------------|
| Surface Protection            | Powder Coating       |
| Degree of Protection (IP)     | IP66                 |
| Housing Colour                | Black                |
| Housing Material              | Aluminium            |
| Reflector                     | None                 |
| Length (mm)                   | 375                  |
| Width (mm)                    | 320                  |
| Height/Depth (mm)             | 75                   |
| Suitable for ceiling mounting | Yes                  |
| Suitable for wall mounting    | Yes                  |
| Suitable for surface mounting | Yes                  |
| Lamp Type                     | LED Not Exchangeable |
| Surface Protection            | Powder Coating       |
| Cover Material                | Transparent Glass    |
| Impact Strength               | IK07                 |



# 140W Portland Floodlight, 840, D1

Order Code: FLD152-D1

## Environmental Data

|                                      |           |
|--------------------------------------|-----------|
| Ambient Rated Temperature Range (°C) | -30 to 40 |
|--------------------------------------|-----------|

## Accessories

ACS187 - 42mm Pole Mount Bracket

ACS188 - 60mm Pole Mount Bracket

ACS189 - 76mm Pole Mount Bracket

## Logistical Data

|                        |     |
|------------------------|-----|
| Item Gross Weight (kg) | 5.2 |
|------------------------|-----|

|                       |    |
|-----------------------|----|
| Packaging Length (cm) | 44 |
|-----------------------|----|

|                      |    |
|----------------------|----|
| Packaging Width (cm) | 36 |
|----------------------|----|

|                       |    |
|-----------------------|----|
| Packaging Height (cm) | 13 |
|-----------------------|----|