

IK07

IP66

ECA

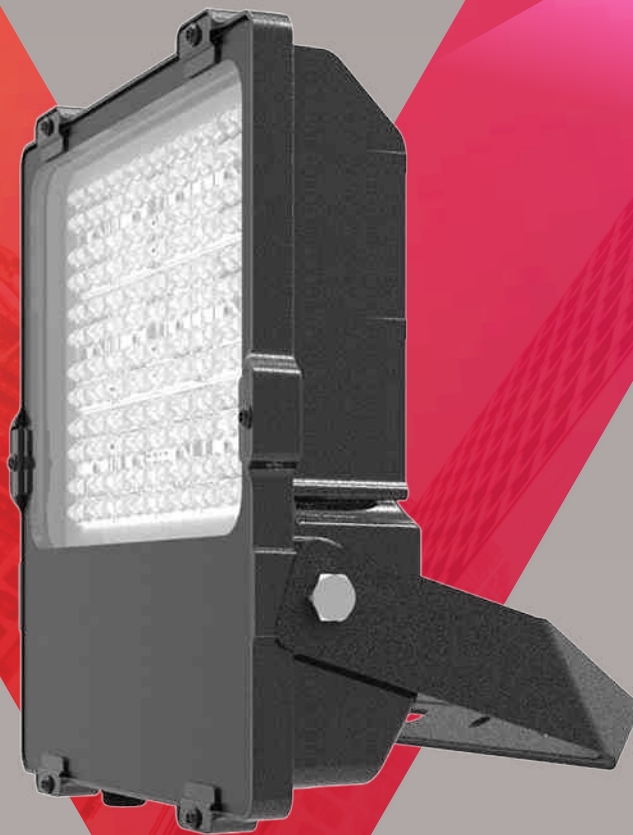
L70

110,000
HOURS

L80

85,000
HOURS5
YEARS'
WARRANTYNEXT DAY
DELIVERY

EXTERIOR RANGE

VENTURE
LIGHTING

PORTLAND

FLOODLIGHT

Our **new** floodlight features an impressive 125 lumens per Watt in a **compact** and **thermally efficient** housing. **Versatile mounting options** make the Portland at home in any application and **precise asymmetric light distribution** ensures every lumen is placed exactly where you need it. The ideal solution for professional lighting designs.

45W Portland Floodlight, 840, D1

Order Code: FLD150-D1

Photometric Data

Colour Rendering Index (CRI)	80-89
Lumens	6250
LPW (lm/W)	125
Colour Temperature (K)	4000 - 4000
SDCM	<6
Light Distribution	Asymmetric
Lens / Reflector	Reflector Lens

Life Data

Rated Life (Hrs)	Ta = 25C		Ta = Tmax	
		-		

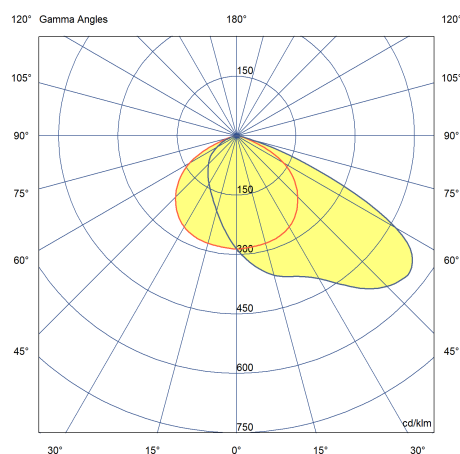
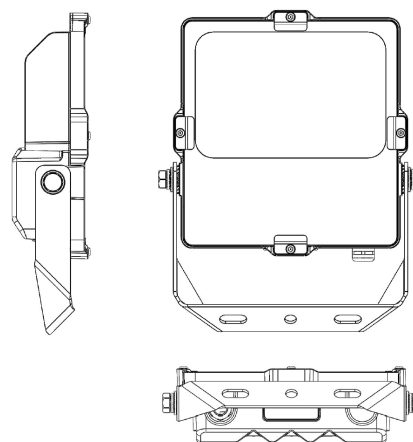
Lumens Maintenance (Hrs)	Ta = 25C		Ta = Tmax	
	B50	B10	B50	B10
	L70	110000	89000	77000
L80	36000	-		

Electrical Data

Input (W)	50
Input (V)±10%	100 - 240
Voltage Type	AC
Power Factor	0.9
THD (%)	10
Energy Efficiency Class (EEC)	A++, A+, A (LED)
Electrical Class	I
Type of Wiring	Ending
Wiring X-sec (mm ²)	1.5
Non-dimmable	Yes

Physical Data

Surface Protection	Powder Coating
Degree of Protection (IP)	IP66
Housing Colour	Black
Housing Material	Aluminium
Reflector	None
Length (mm)	300
Width (mm)	240
Height/Depth (mm)	69
Suitable for ceiling mounting	Yes
Suitable for wall mounting	Yes
Suitable for surface mounting	Yes
Lamp Type	LED Not Exchangeable
Surface Protection	Powder Coating
Cover Material	Transparent Glass
Impact Strength	IK07



45W Portland Floodlight, 840, D1

Order Code: FLD150-D1

Environmental Data

Ambient Rated Temperature Range (°C)	-30 to 40
--------------------------------------	-----------

Accessories

ACS187 - 42mm Pole Mount Bracket

ACS188 - 60mm Pole Mount Bracket

ACS189 - 76mm Pole Mount Bracket

Logistical Data

Item Gross Weight (kg)	2.9
------------------------	-----

Packaging Length (cm)	35
-----------------------	----

Packaging Width (cm)	27.5
----------------------	------

Packaging Height (cm)	11.5
-----------------------	------