



VENTURE<sup>®</sup>  
LIGHTING

# Product Specification

**LAMP DETECTOR 220V/240V 50Hz/60Hz**

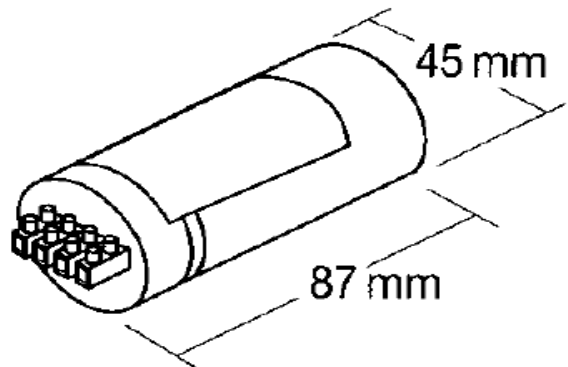
**Product Number:**

**LDD500255**

**Product Type:** Lamp Detector

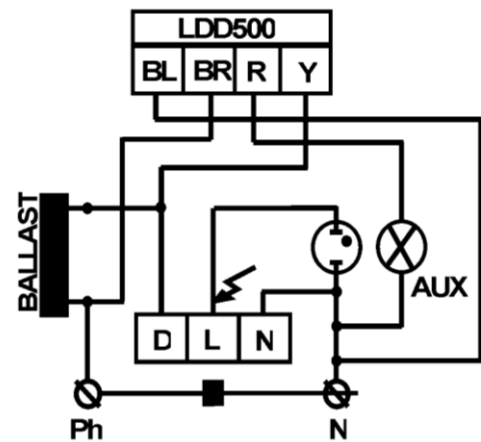
## Performance Data

Voltage 50/60Hz:	220/240V
Max Watts Aux. Lamp:	500
Max. Ignitor Pulse (Kv):	5.0
Max. case temperature (C°):	85
Internal temp rise (C°):	25



## Physical Data

Length x Diameter (mm):	87 x 45
Weight (kg):	0.25
Type of can material:	Aluminium
Fixing:	M8 stud 10mm long



**CIRCUIT DIAGRAM**

**Revision:** -

## Notes:

The internal temperature rise is measured with a 500W Auxilliary lamp operating continuously.

Data is based upon tests performed by Venture Lighting in a controlled environment and is representative of relative performance at nominal power/voltage (110/240/415). Actual performance can vary depending on operating conditions. Data is subject to change without notice.

Venture Lighting Europe Ltd., Trinity Court, Batchworth Island, Church Street, Rickmansworth, WD3 1RT, United Kingdom

Tel: +44 (0) 845 230 2222, Fax: +44 (0) 845 230 2077, [www.venturelightingeurope.com](http://www.venturelightingeurope.com)