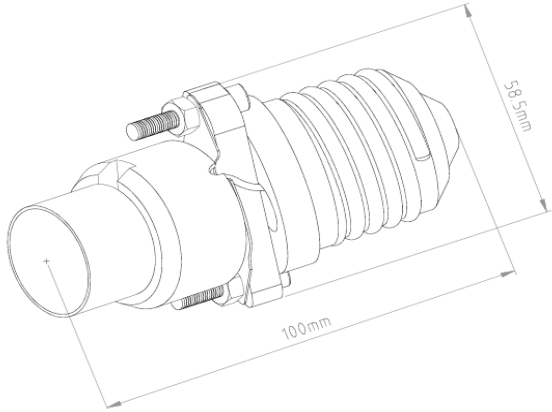




VENTURE®
LIGHTING

Product Specification

E40-PGZ12 ADAPTOR		Product Number:	E40-PGZ12
Product Type:		Adaptor	
Performance Data			
This adaptor fits into an E40 lamp holder and accepts a PGZ12 base lamp			
Existing lamp holder:		E40	
Lamp type:		PGZ12	
Physical Data			
Length x Width (mm)			
Revision: -			
Notes:			
Data is based upon tests performed by Venture Lighting in a controlled environment and is representative of relative performance at nominal power/voltage (110/240/415). Actual performance can vary depending on operating conditions. Data is subject to change without notice.			
Venture Lighting Europe Ltd., Trinity Court, Batchworth Island, Church Street, Rickmansworth, WD3 1RT, United Kingdom Tel: +44 (0) 845 230 2222, Fax: +44 (0) 845 230 2077, www.venturelightingeurope.com			