



## TYPES (CODES) OF LIGHT FIXTURES

### **V5LxxxDNR, V5LxxxSDHR, V5LxxxSDOA, V5LxxxDHR**

xxx: For standard lamps      200W = 200, 250W = 250, 320W = 320, 350W = 350,  
(PS)      400W = 400

xxx: For sustainability lamps      200W = 20S  
(PS+S)

#### Notes:

•This Product Specification contains data about typical performance at nominal power. Actual values may depend on ballast and applications. Complies with (CE), Low Voltage (CE), WEEE and RoHS Directive.  
•Data is based upon tests performed by Venture Lighting in a controlled environment and is representative of relative performance at the relevant nominal power/voltage (e.g. 110/240/415). Actual performance can vary depending on operating conditions. Data is subject to change without notice.

Venture Lighting Europe Ltd  
Trinity Court, Batchworth Island  
Church Street, Rickmansworth  
Hertfordshire WD3 1RT

T: 01923 692600  
F: 01923 692659

[www.venturelightingeurope.com](http://www.venturelightingeurope.com)

## STATEMENT OF WARRANTY for Venture HID products

### Lamps

This is to certify that Metal Halide lamps and High Pressure Sodium lamps manufactured by Venture Lighting operated in accordance with our lamp specification of 10 hours per start, carry a warranty of 4000 hours or twelve months, whichever occurs sooner. In addition Ventures Sustainability lamps have an extended warranty of 8000 hours or 24 months whichever occurs sooner.

For Metal Halide lamps and High Pressure Sodium lamps operated exclusively with Ventures Ventronic *High Frequency* electronic control gear, these carry an extended warranty of 8000 hours or twelve months whichever occurs sooner.

For more detailed information on Lamp Warrantees, visit: [http://www.venturelighting.com/TechCenter/Venture\\_Standard\\_Warranty.pdf](http://www.venturelighting.com/TechCenter/Venture_Standard_Warranty.pdf)

### Control Gear

This is to certify that Ventronic electronic ballasts, magnetic ballasts, magnetic transformers, electronic ignitors, electronic devices and control boxes that contain these products, which have been manufactured or factored by Venture Lighting are warranted for 3 years. When operated at their maximum operating temperature, the life expectancy of all such control gear is expected to be in excess of 10 years, except for Ventronic ballasts which have a life expectancy of 3 years for low frequency ballasts and 5 years for high frequency ballasts.

### Capacitors

This is to certify that factored capacitors supplied by Venture Lighting as a supplementary service item are warranted for 3 years against manufacturing defects providing items are not subjected to mains supply perturbations above recommended limits. Such influences can cause catastrophic failure resulting in the production of smoke and fumes and burning elements that can cause localised combustion of surrounding apparatus, for which Venture Lighting does not warrant or take responsibility.

*Note: The use of Type B protected capacitors for cross phase applications is recommended and should significantly reduce the above burning risk. Also the addition of harmonic filters will further prevent against the effects of mains perturbations.*

### Qualification

The item must be faulty due to manufacturing defects and not rendered faulty due to misuse, use at elevated temperatures, use at high supply voltages and use in adverse environments or similar circumstances situations that take Ventures product outside of its published data.

Venture will only supply a replacement product for each faulty product returned and will not contribute towards other costs, which implies and not limited to; costs of consequential losses, labour costs, equipment and hire costs, transport costs and any other associated costs of retrieving the original product and or refitting a new product.

#### Notes:

- This Product Specification contains data about typical performance at nominal power. Actual values may depend on ballast and applications. Complies with (CE), Low Voltage (CE), WEEE and RoHS Directive.
- Data is based upon tests performed by Venture Lighting in a controlled environment and is representative of relative performance at the relevant nominal power/voltage (e.g. 110/240/415). Actual performance can vary depending on operating conditions. Data is subject to change without notice.

Venture Lighting Europe Ltd  
Trinity Court, Batchworth Island  
Church Street, Rickmansworth  
Hertfordshire WD3 1RT

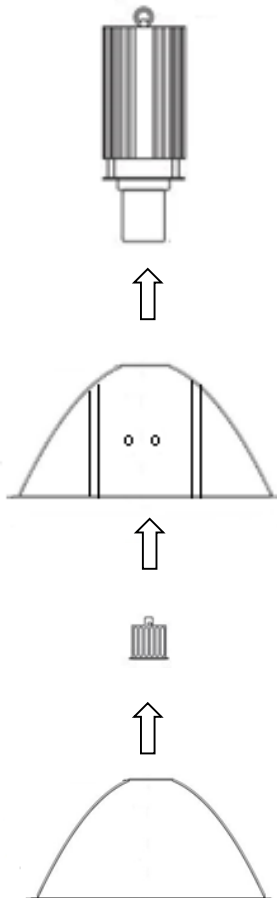
T: 01923 692600  
F: 01923 692659

[www.venturelightingeurope.com](http://www.venturelightingeurope.com)

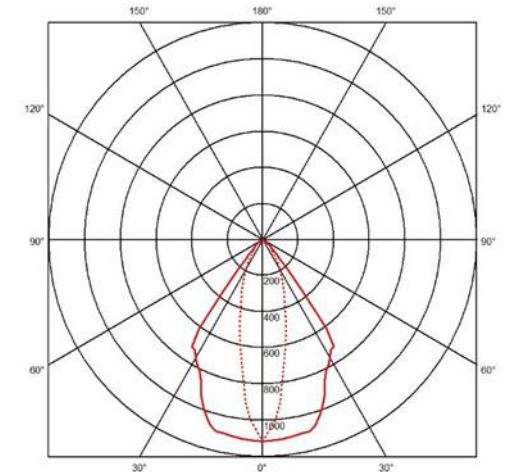
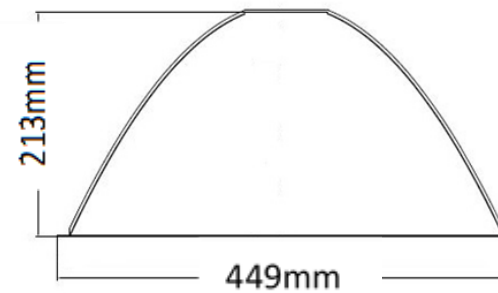
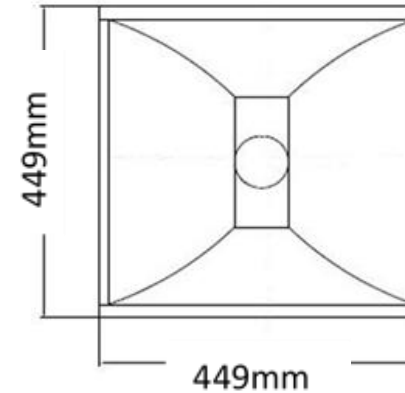


## Installation Instructions

- Step 1: Disconnect all power before commencing installation
- Step 2: Suitably mount the POD using catenary wire or chain
- Step 3: Insert stated collar into the plastic vacuum formed outer shell
- Step 4: Install the outer shell and collar onto the POD, making sure the collar is correctly rotated into the dish slots, the locking screw can now be inserted
- Step 5: Insert the selected Reflector using the 4 provided reflector clips
- Step 6: Connect mains out put cable to the designated circuit, as shown on the product wiring label
- Step 7: The Lamp can now be inserted and fixture commissioned



COLLAR01 - 79Dia x 100Long x 100Dia Flange



Lamp - 22591 - HIPE 320W/V/E90/UVS/EL/PS/740

- Miro 8510 reflector material providing a DLOR of 95%.
- Best in class performance reducing the amount of luminaires required.
- No cover glass required with protective lamp.
- Vacuum form shell providing an area to mount a sensor with integral wiring.
- Light weight for easy installation.

### Notes:

- This Product Specification contains data about typical performance at nominal power. Actual values may depend on ballast and applications. Complies with (CE), Low Voltage (CE), WEEE and RoHS Directive.
- Data is based upon tests performed by Venture Lighting in a controlled environment and is representative of relative performance at the relevant nominal power/voltage (e.g. 110/240/415). Actual performance can vary depending on operating conditions. Data is subject to change without notice.

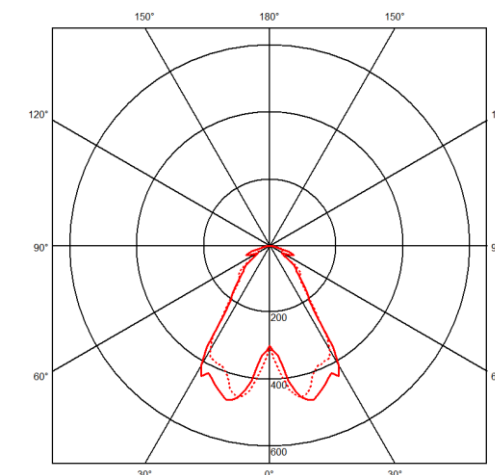
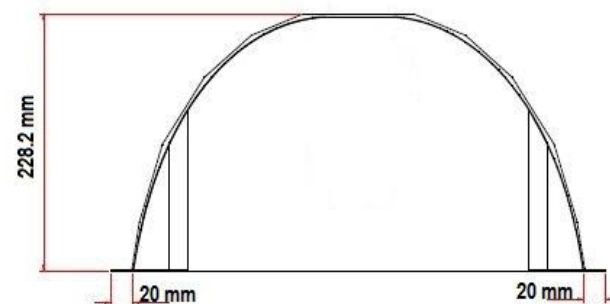
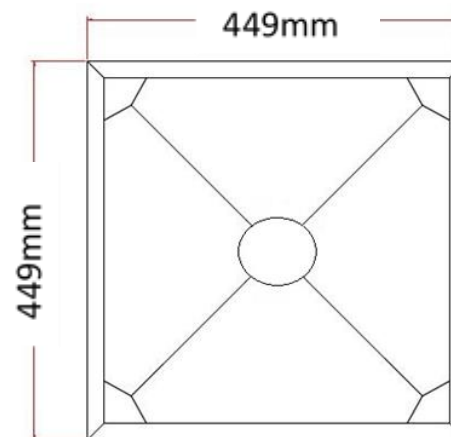
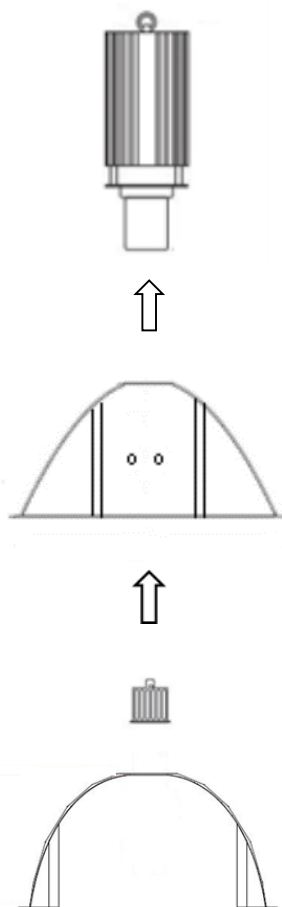
Venture Lighting Europe Ltd  
Trinity Court, Batchworth Island  
Church Street, Rickmansworth  
Hertfordshire WD3 1RT

T: 01923 692600  
F: 01923 692659  
www.venturelightingeurope.com



## Installation Instructions

- Step 1: Disconnect all power before commencing installation
- Step 2: Suitably mount the POD using catenary wire or chain
- Step 3: Insert stated collar into the plastic vacuum formed outer shell
- Step 4: Install the outer shell and collar onto the POD, making sure the collar is correctly rotated into the dish slots, the locking screw can now be inserted
- Step 5: Insert the selected Reflector using the 4 provided reflector clips
- Step 6: Connect mains out put cable to the designated circuit, as shown on the product wiring label
- Step 7: The Lamp can now be inserted and fixture commissioned



Lamp - 22591 - HIPE 320W/V/E90/UVS/EL/PS/740

- Miro 8510 reflector material providing a DLOR of 95%.
- Best in class performance reducing the amount of luminaires required.
- No cover glass required with protective lamp.
- Vacuum form shell providing an area to mount a sensor with integral wiring.
- Light weight for easy installation.

COLLAR02 - Collar 79Dia x 71Long x 100Dia Flange

### Notes:

- This Product Specification contains data about typical performance at nominal power. Actual values may depend on ballast and applications. Complies with (CE), Low Voltage (CE), WEEE and RoHS Directive.
- Data is based upon tests performed by Venture Lighting in a controlled environment and is representative of relative performance at the relevant nominal power/voltage (e.g. 110/240/415). Actual performance can vary depending on operating conditions. Data is subject to change without notice.

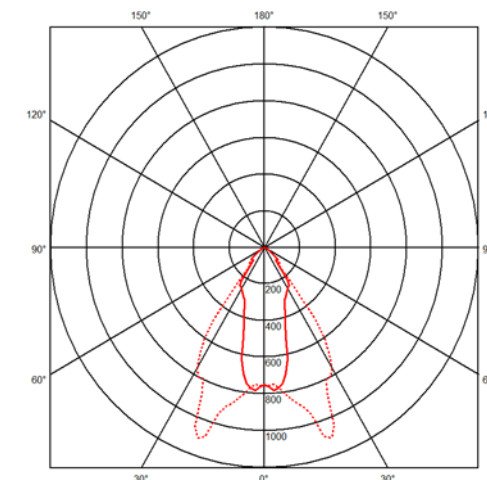
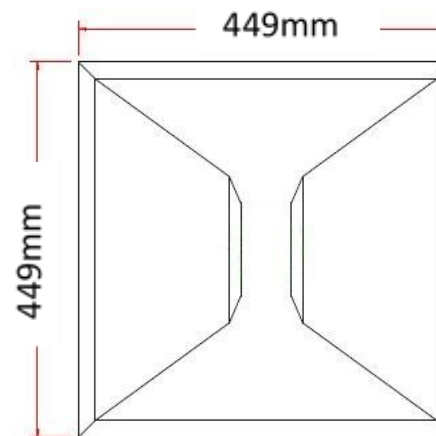
Venture Lighting Europe Ltd  
Trinity Court, Batchworth Island  
Church Street, Rickmansworth  
Hertfordshire WD3 1RT

T: 01923 692600  
F: 01923 692659  
www.venturelightingeurope.com



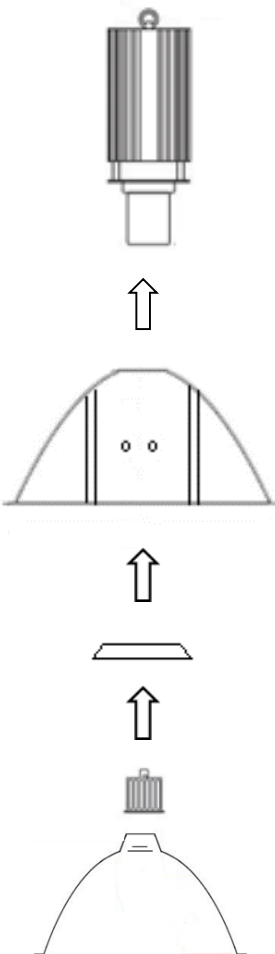
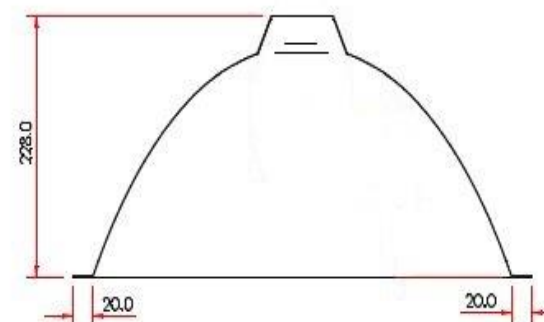
## Installation Instructions

- Step 1: Disconnect all power before commencing installation
- Step 2: Suitably mount the POD using catenary wire or chain
- Step 3: Insert stated collar into the plastic vacuum formed outer shell
- Step 4: Install the outer shell and collar onto the POD, making sure the collar is correctly rotated into the dish slots, the locking screw can now be inserted
- Step 5: Insert the selected Reflector using the 4 provided reflector clips
- Step 6: Connect mains out put cable to the designated circuit, as shown on the product wiring label
- Step 7: The Lamp can now be inserted and fixture commissioned



Lamp - 22591 - HIPE 320W/V/E90/UVS/EL/PS/740

- Miro 8510 reflector material providing a DLOR of 95%.
- Best in class performance reducing the amount of luminaires required.
- No cover glass required with protective lamp.
- Vacuum form shell providing an area to mount a sensor with integral wiring.
- Light weight for easy installation.



COLLAR02 - Collar 79Dia x 71Long x 100Dia Flange

### Notes:

- This Product Specification contains data about typical performance at nominal power. Actual values may depend on ballast and applications. Complies with (CE), Low Voltage (CE), WEEE and RoHS Directive.
- Data is based upon tests performed by Venture Lighting in a controlled environment and is representative of relative performance at the relevant nominal power/voltage (e.g. 110/240/415). Actual performance can vary depending on operating conditions. Data is subject to change without notice.

Venture Lighting Europe Ltd  
Trinity Court, Batchworth Island  
Church Street, Rickmansworth  
Hertfordshire WD3 1RT

T: 01923 692600  
F: 01923 692659  
[www.venturelightingeurope.com](http://www.venturelightingeurope.com)

