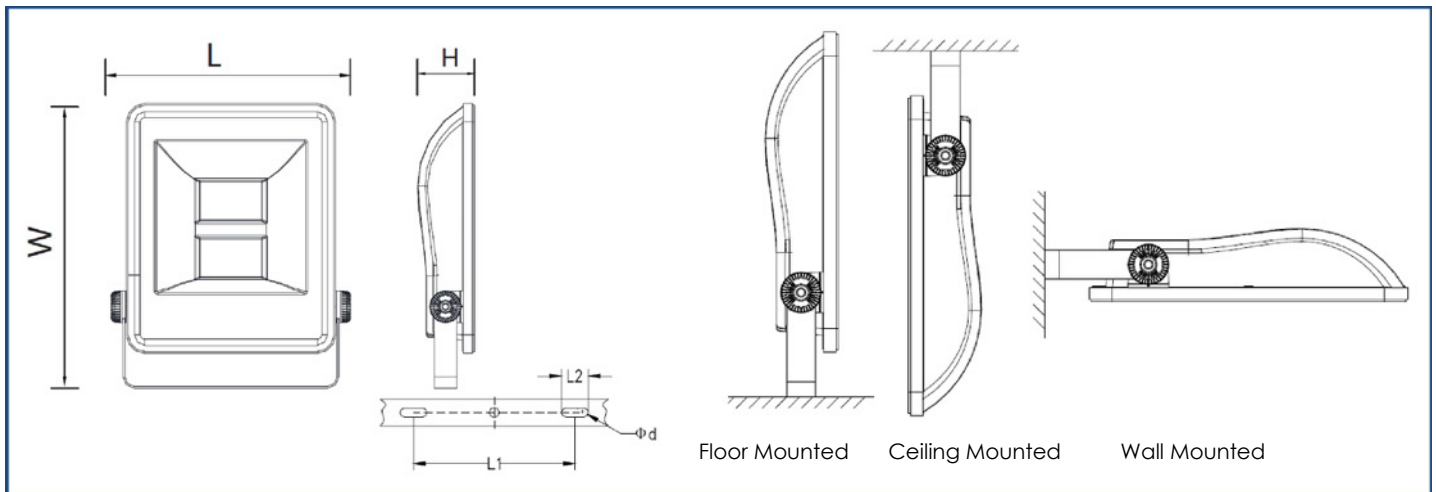


IMPORTANT INFORMATION

- The standard warranty offered with these LED products as displayed at www.venturelightingeurope.com/technical-centre/warranty can only be upheld providing the following instructions and conditions of use are strictly adhered to. Venture Lighting will not be held responsible for any claims resulting from inadequate installation and therefore advice may be required from a qualified person before proceeding.
- For specific details regarding Luminaires, Drivers and Accessories, refer to the units label, box / carton label, visit www.venturelightingeurope.com or call our office +44(0)1923 692 600.
- Venture LED products, although robust and sturdy, should be treated with care. A dropped unit may sustain internal damage and must be discarded. Generally, products cannot be serviced; there are no serviceable parts inside and the product should not be opened unless instructed below to enable electrical connection or mechanical fixing.
- IP54 and above rated units are suitable for exterior applications, otherwise products are only suited for indoor applications in dry environments.
- Class II products are double insulated and must not be connected to earth. Class III products provide a SELV output.
- The indicated case temperatures of the installed products must not be exceeded; ensure adequate ventilation and do not cover. If used in hot environments relevant tests must be carried out prior to installation.
- For DALI, emergency products or external drivers refer to their individual product sheets.
- Please understand the following instructions and installation procedure before proceeding. Work should be carried out by a qualified electrician.
- The product must be electrically connected as indicated on the units label to live and neutral (disconnecting or isolating the supply prior) and earth (except Class II). Fuse accordingly, taking into account units input current shown on the label noting that MCBs must be rated to handle the combined inrush current of all connected devices. Product with wire leads are not supplied with a terminal block; use a 5A 250V connector.

INSTALLATION

- Installation to be undertaken only by qualified personnel. Disconnect all power before beginning work.
- Do not operate the luminaire if the glass is broken or cracked.
- If the external flexible cable of this luminaire is damaged it must be replaced by the manufacturer or a similar qualified person.
- The light source in this luminaire is not replaceable. When the luminaire reaches its end of life the whole luminaire must be replaced.



PART NO.	WEIGHT	DIMENSIONS WxLxH	L1	L2	d	WINDAGE
FLD086	4.1Kg	382 x 306 x 86mm	151mm	31mm	11mm	0.12m ²
FLD087/88	6.18Kg	500 x 415 x 100mm	185mm	40mm	12mm	0.21m ²
FLD089/90	11.4Kg	610 x 470 x 122mm	240mm	40mm	13mm	0.29m ²

