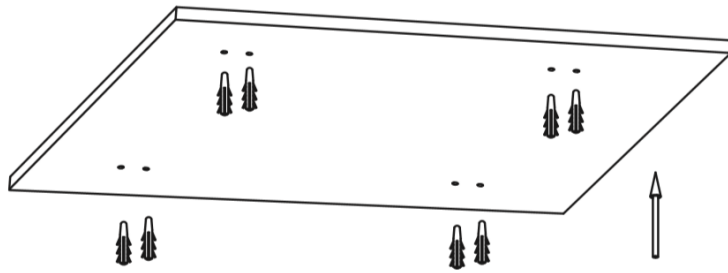
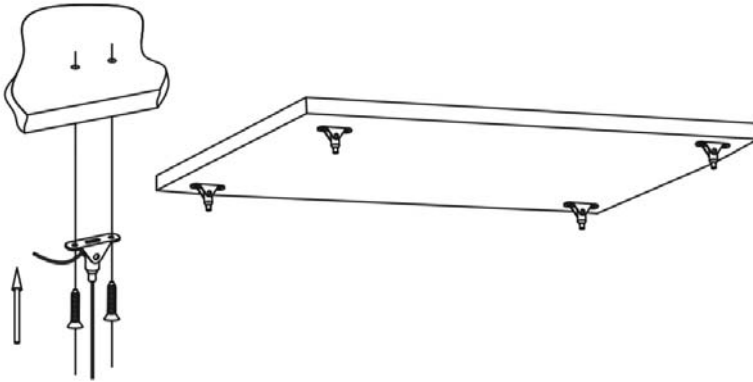


ACS198 Suspended Fixing Kit for Backlit Panels

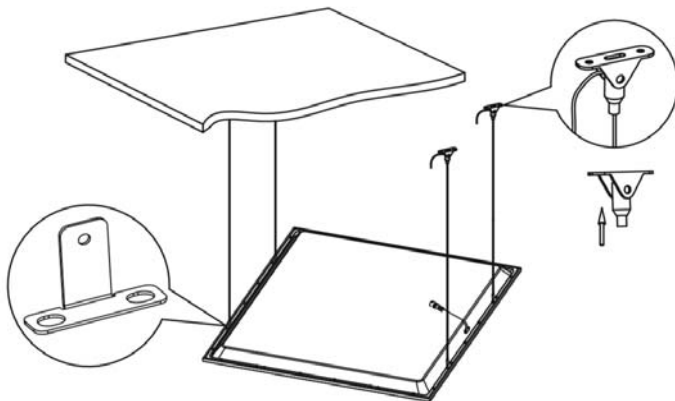
1.



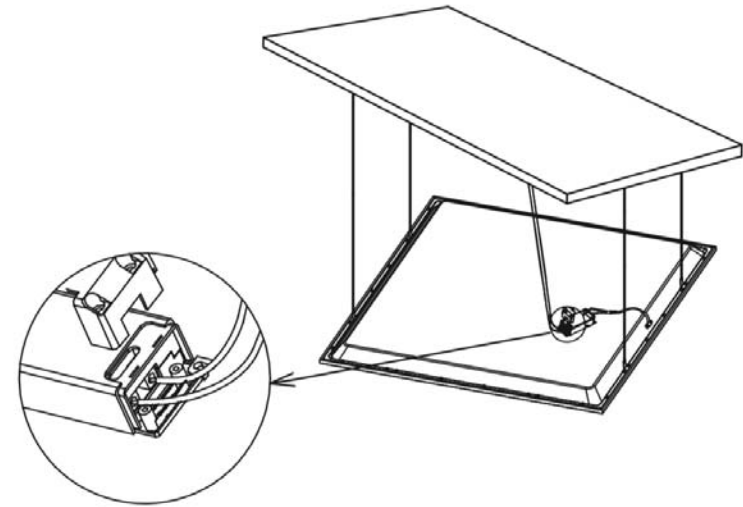
2.



3.



4.



Kit Contains:

8x Cavity Plugs

8x Ceiling Fixing Screws

4x Catenary Wire Anchors

4x Catenary Wires (1m)

4x Panel Fixing Brackets

8x Panel Fixing Screws