

Ballast Code	Type	Lamp Types
V50MSC255	STANDARD	50W QUARTZ, CERAMIC, HPS

Electrical Data

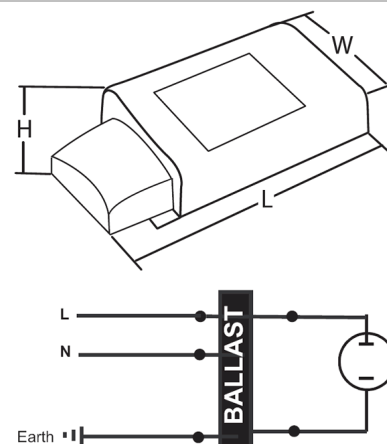
Actual Lamp Power (W)	50			
Circuit Watts (W)	56			
Dimmed Power Level	NOT APPLICABLE	67%	50%	35%
Dimmed Lamp Power (W)				
Dimmed Circuit Watts (W)				
Input Voltage (V)	220 - 240 ±10%	Lamp Waveform		Square Wave
Input Frequency (Hz)	50 / 60	Lamp Operating Frequency (Hz)		163
Input Current (A) @ 240V	0.24	Voltage Ignition (kV)		2.5
Power Factor	>0.95	Maximum Cable Capacitance (pf)		2500
Total Harmonic Distortion (THD) %	<10	Internal Data Logging		No
Max Ballasts per C16A Circuit	40			

Safety / Thermal Requirements

Short Circuit Protection	Yes	Maximum Case Temperature (°C)	80
Continuous Open Circuit	Yes	Maximum Ambient Temperature (°C)	50
Thermal Protection with Auto Reset	Yes	Minimum Ambient Temperature (°C)	-40
End of Lamp Protection	Yes	Ignition Cut-Out Time	

Physical Data / Requirements

Termination	Type	NOTE 1
	Size (mm ²)	0.75 - 2.5
	Length (mm)	Not Applicable
Case Type	Aluminium	
Length x Width x Height (mm)	148 x 76 x 32	
Fixings (mm)	100 x 64	
Weight (g)	230	
Conformal Coating	None	
IP Rating	IP40 - SEE NOTE 3	



Additional Information

NOTE 3 - FOR INTERNAL USE ONLY