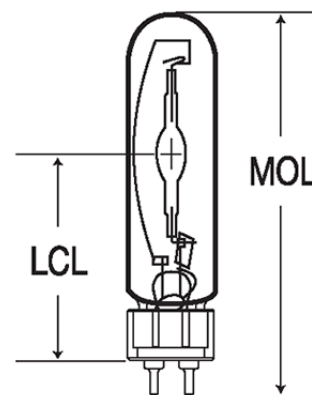


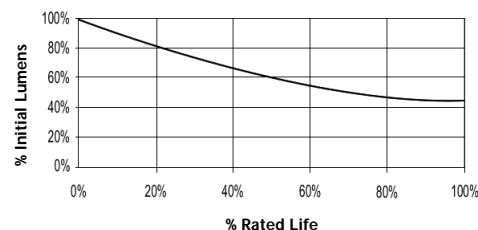
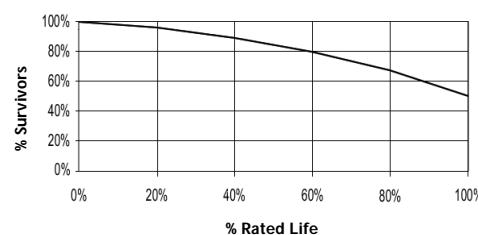
HIT 150W/G12/UVS/GDX
Product Number: 26786
Lamp Type: Designer Color

Performance Data

Dominant Wavelength	535
% Saturation	46
Rated Life (Hrs. @ 10 Hr. /Start)	5000
Correlated Colour Temperature (K)	-
Chromaticity (CIE - X Y)	255, 533
Colour Rendering Index (CRI) or (Ra)	N/A
Typical Warm Up Time (Minutes)	1-2
Typical Hot Restart Time (Minutes)	2-4
Burning Position	Universal


Physical Data / Requirements

Base Designation	G12
Bulb Designation	T25
Bulb Diameter (mm)	23
Max. Overall Length (MOL) (mm)	110
Light Centre Length (LCL) (mm)	56
Effective Arc Length (mm)	19
Max. Base Temperature (°C)	280
Max. Bulb Temperature (°C)	550
Luminaire Type	Enclosed
Socket Pulse Rating (KV)	6
Mercury Content (mg)	

Lumen Maintenance

Lamp Mortality

Lamp Electrical Data / Requirements

IEC Standard	61167
Lamp Wattage (W)	150
Lamp Operating Voltage (V)	95
Lamp Operating Current (Amps)	1.8
Min. Open Circuit Voltage (RMS)	198
Min. Starting Pulse (Peak V)	3000-6000
Min. Pulse Width at 2700V (microseconds)	1
Min. Pulse Rate Per 1/2 cycle	1
Pulse Position (Electrical Degrees)	60-90, 240-270

Revision: 28/02/2006

Notes:

1) This Product Specification contains data about typical performance at nominal power. Actual values may depend on ballast and applications. Complies with (CE), Low Voltage (CE), WEEE and RoHS Directives.