

Lamp Current (A): 1.8A  
 Ignitor Voltage: 3-6KV  
 Luminaire Rating: Enclosed  
 Burning Position: Universal

### HIT 150W/G12/UVS/MDX

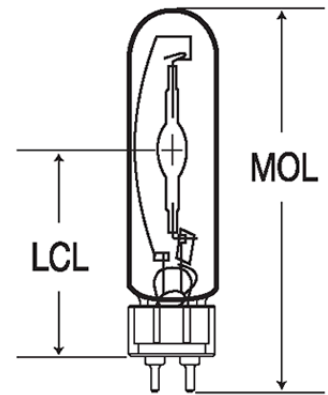
**Product Number: 00188**

**Lamp Type:** Designer Color

**Control Gear:** HPS Ballast + Ignitor / Electronic

#### Performance Data

Dominant Wavelength	515
% Saturation	30
Rated Life (Hrs. @ 10 Hr. /Start)	3000
Correlated Colour Temperature (K)	-
Chromaticity (CIE - X Y)	310, 180
Colour Rendering Index (CRI) or (Ra)	N/A
Typical Warm Up Time (Minutes)	1-2
Typical Hot Restart Time (Minutes)	2-4
Burning Position	Universal



#### Physical Data / Requirements

Base Designation	G12
Bulb Designation	T23
Bulb Diameter (mm)	23
Max. Overall Length (MOL) (mm)	110
Light Centre Length (LCL) (mm)	56
Effective Arc Length (mm)	19
Max. Base Temperature (°C)	280
Max. Bulb Temperature (°C)	650
Luminaire Type	Enclosed
Socket Pulse Rating (KV)	6

#### Lamp Electrical Data / Requirements

IEC Standard	61167
Lamp Wattage (W)	150
Lamp Operating Voltage (V)	95
Lamp Operating Current (Amps)	1.8
Min. Open Circuit Voltage (RMS)	198
Min. - Max. Starting Pulse (Peak V)	3000-6000
Min. Pulse Width at 2700V (microseconds)	1
Min. Pulse Rate Per ½ cycle	1
Pulse Position (Electrical Degrees)	60-90, 240-270

**Revision:** 28/08/2007

#### Notes:

The specification contains data about typical performance on 50Hz sine wave ballast at nominal power. Actual values may depend on ballast and applications. Complies with (CE), Low Voltage (CE), WEEE and RoHS Directives.