

Lamp Current (A): 1.8A
 Ignitor Voltage: 3-6KV
 Luminaire Rating: Enclosed
 Burning Position: Universal

HIT 150W/G12/UVS/PDX

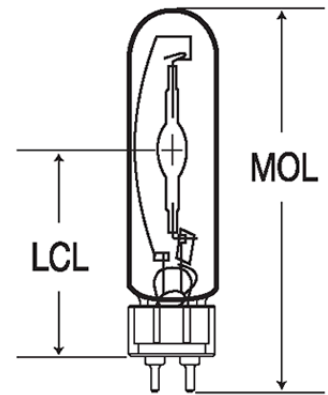
Product Number: 00187

Lamp Type: Designer Color

Control Gear: HPS Ballast + Ignitor / Electronic

Performance Data

Dominant Wavelength	635
% Saturation	40
Rated Life (Hrs. @ 10 Hr. /Start)	3000
Correlated Colour Temperature (K)	-
Chromaticity (CIE - X Y)	460, 280
Colour Rendering Index (CRI) or (Ra)	N/A
Typical Warm Up Time (Minutes)	1-2
Typical Hot Restart Time (Minutes)	2-4
Burning Position	Universal



Physical Data / Requirements

Base Designation	G12
Bulb Designation	T23
Bulb Diameter (mm)	23
Max. Overall Length (MOL) (mm)	110
Light Centre Length (LCL) (mm)	56
Effective Arc Length (mm)	19
Max. Base Temperature (°C)	280
Max. Bulb Temperature (°C)	650
Luminaire Type	Enclosed
Socket Pulse Rating (KV)	6

Lamp Electrical Data / Requirements

IEC Standard	61167
Lamp Wattage (W)	150
Lamp Operating Voltage (V)	95
Lamp Operating Current (Amps)	1.8
Min. Open Circuit Voltage (RMS)	198
Min. - Max. Starting Pulse (Peak V)	3000-6000
Min. Pulse Width at 2700V (microseconds)	1
Min. Pulse Rate Per ½ cycle	1
Pulse Position (Electrical Degrees)	60-90, 240-270

Revision: 28/08/2007

Notes:

The specification contains data about typical performance on 50Hz sine wave ballast at nominal power. Actual values may depend on ballast and applications. Complies with (CE), Low Voltage (CE), WEEE and RoHS Directives.