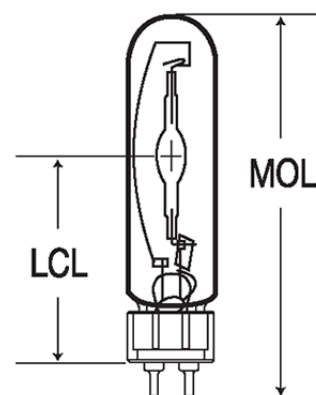


Lamp Current (A): 1.8A
 Ignitor Voltage (Min.): 3KV
 Luminaire Rating: Enclosed
 Burning Position: Universal

HIT 150W/G12/UVS/6.5K
Product Number: 00110
Lamp Type: Aquatic & Special Purpose Lamps

Performance Data

Light Output (Lumens @ 100 hours)	13700V / 12300H
Lamp Lumens Per Watt	91
Rated Life (Hrs. @ 10 Hr. /Start)	10000V / 7500H
Correlated Colour Temperature (K)	6500
Chromaticity (CIE - X Y)	310, 320
Colour Rendering Index (CRI) or (Ra)	85+
Typical Warm Up Time (Minutes)	1-2
Typical Hot Restart Time (Minutes)	2-4
Burning Position	Universal



Physical Data / Requirements

Base Designation	G12
Bulb Designation	T25
Bulb Diameter (mm)	23
Max. Overall Length (MOL) (mm)	110
Light Centre Length (LCL) (mm)	56
Effective Arc Length (mm)	19
Max. Base Temperature (°C)	280
Max. Bulb Temperature (°C)	500
Luminaire Type	Enclosed
Socket Pulse Rating (KV)	6
Mercury Content (mg)	

Lamp Electrical Data / Requirements

IEC Standard	-
Lamp Wattage (W)	150
Lamp Operating Voltage (V)	95
Lamp Operating Current (Amps)	1.8
Min. Open Circuit Voltage (RMS)	198
Min. Starting Pulse (Peak V)	3000-6000
Min. Pulse Width at 2700V (microseconds)	1
Min. Pulse Rate Per ½ cycle	1
Pulse Position (Electrical Degrees)	60-90, 240-270

Revision: 28/02/2006

Notes:

1) This Product Specification contains data about typical performance at nominal power. Actual values may depend on ballast and applications. Complies with (CE), Low Voltage (CE), WEEE and RoHS Directives.