

Lamp Current (A): 1.8A

Ignitor Voltage: 3-6KV

Luminaire Rating: Enclosed

Burning Position: Universal

HIT 150W/G12/UVS/10K

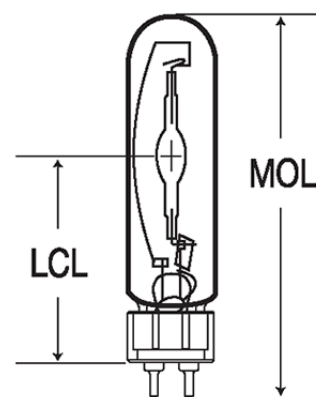
Product Number: 00111

Lamp Type: Aquatic & Special Purpose Lamps

Control Gear: HPS Ballast + Ignitor / Electronic

Performance Data

Light Output (Lumens @ 100 hours)	11900V / 10700H
Lamp Lumens Per Watt	79
Rated Life (Hrs. @ 10 Hr. /Start)	10000V / 7500H
Correlated Colour Temperature (K)	10000
Chromaticity (CIE - X Y)	-, -
Colour Rendering Index (CRI) or (Ra)	85+
Typical Warm Up Time (Minutes)	1-2
Typical Hot Restart Time (Minutes)	2-4
Burning Position	Universal



Physical Data / Requirements

Base Designation	G12
Bulb Designation	T25
Bulb Diameter (mm)	23
Max. Overall Length (MOL) (mm)	110
Light Centre Length (LCL) (mm)	56
Effective Arc Length (mm)	19
Max. Base Temperature (°C)	280
Max. Bulb Temperature (°C)	500
Luminaire Type	Enclosed
Socket Pulse Rating (KV)	6

Lamp Electrical Data / Requirements

IEC Standard	-
Lamp Wattage (W)	150
Lamp Operating Voltage (V)	95
Lamp Operating Current (Amps)	1.8
Min. Open Circuit Voltage (RMS)	198
Min. - Max. Starting Pulse (Peak V)	3000-6000
Min. Pulse Width at 2700V (microseconds)	1
Min. Pulse Rate Per ½ cycle	1
Pulse Position (Electrical Degrees)	60-90, 240-270

Revision: 28/02/2006

Notes:

The specification contains data about typical performance on 50Hz sine wave ballast at nominal power. Actual values may depend on ballast and applications. Complies with (CE), Low Voltage (CE), WEEE and RoHS Directives.